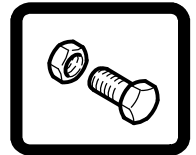


5000-Sc

Cleaning Solution Generator Parts Manual

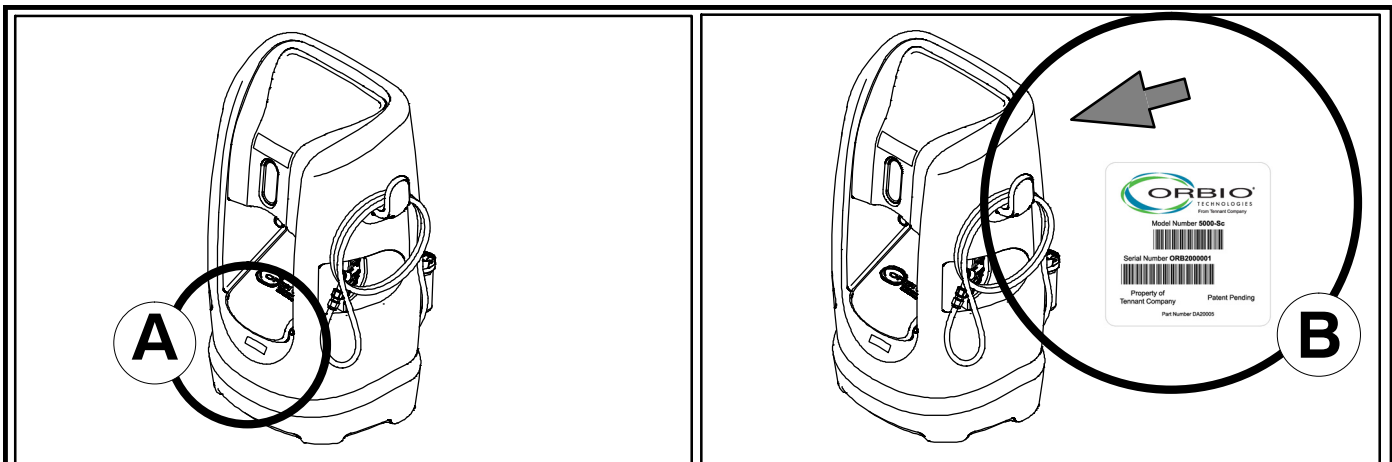


North America / International

www.tennantco.com

DM20008
Rev. 02 (6-2012)





Ref	Part No.	Serial Number	Description	Qty.
1	82681	(000000—)	Bracket W/dt, Lpg Mount	1
2	63810	(000000—)	Latch Assy, Lpg Tank Mtg, W/Nut	4
3	51839	(000000—)	Nut Adjustable, Lpg Tank Mtg	2
4	49263	(000000—)	Tie, Cable	3
5	82556	(000000—001039)	Bracket, Vaporizer	1
6	54930	(000000—)	Vaporizer, LPG	1

HOW TO ORDER PARTS – See diagram above

Only use TENNANT Company supplied or equivalent parts. Parts and supplies may be ordered online, by phone, by fax or by mail.

Follow the steps below to ensure prompt delivery.

1. **(A)** Identify the machine model.
2. **(B)** Identify the machine serial number from the data plate.
3. **(C)** Ensure the proper serial number is used from the parts list.
4. Identify the part number and quantity. Do not order by page or reference numbers.
5. Provide your name, company name, customer ID number, billing and shipping address, phone number and purchase order number.
6. Provide detail shipping instructions.

(D) ▽ – Identifies an assembly
 ▲ – Identifies parts included in assembly

EN

Please fill out at time of installation for future reference.

Model No. – _____

Serial No. – _____

Machine Options – _____

Sales Rep. – _____

Sales Rep. phone no. – _____

Customer ID Number – _____

Installation Date – _____

Orbio Technologies
 701 North Lilac Drive
 Minneapolis, MN 55440
 Phone: (800) 553-8033 or (763) 513-2850
 www.tennantco.com

Specifications and parts are subject to change without notice.
 Original Instructions, copyright © 2011, 2012 Orbio Technologies from TENNANT Company, Printed in U.S.A.

Table of Contents

Contents	Page
Fig. 1 – Solution Tank Group	4
Fig. 2 – Upper Tank and Bottle Fill Group	6
Fig. 3 – Dispensing Pump and Nozzle Group	8
Fig. 4 – Solution Supply Group	10
Fig. 5 – Overflow and Drain Group	12
Fig. 6 – Wire Harnesses Group	14
Fig. 7 – Auxiliary Tank Option Kit	16

Fig. 1 – Solution Tank Group

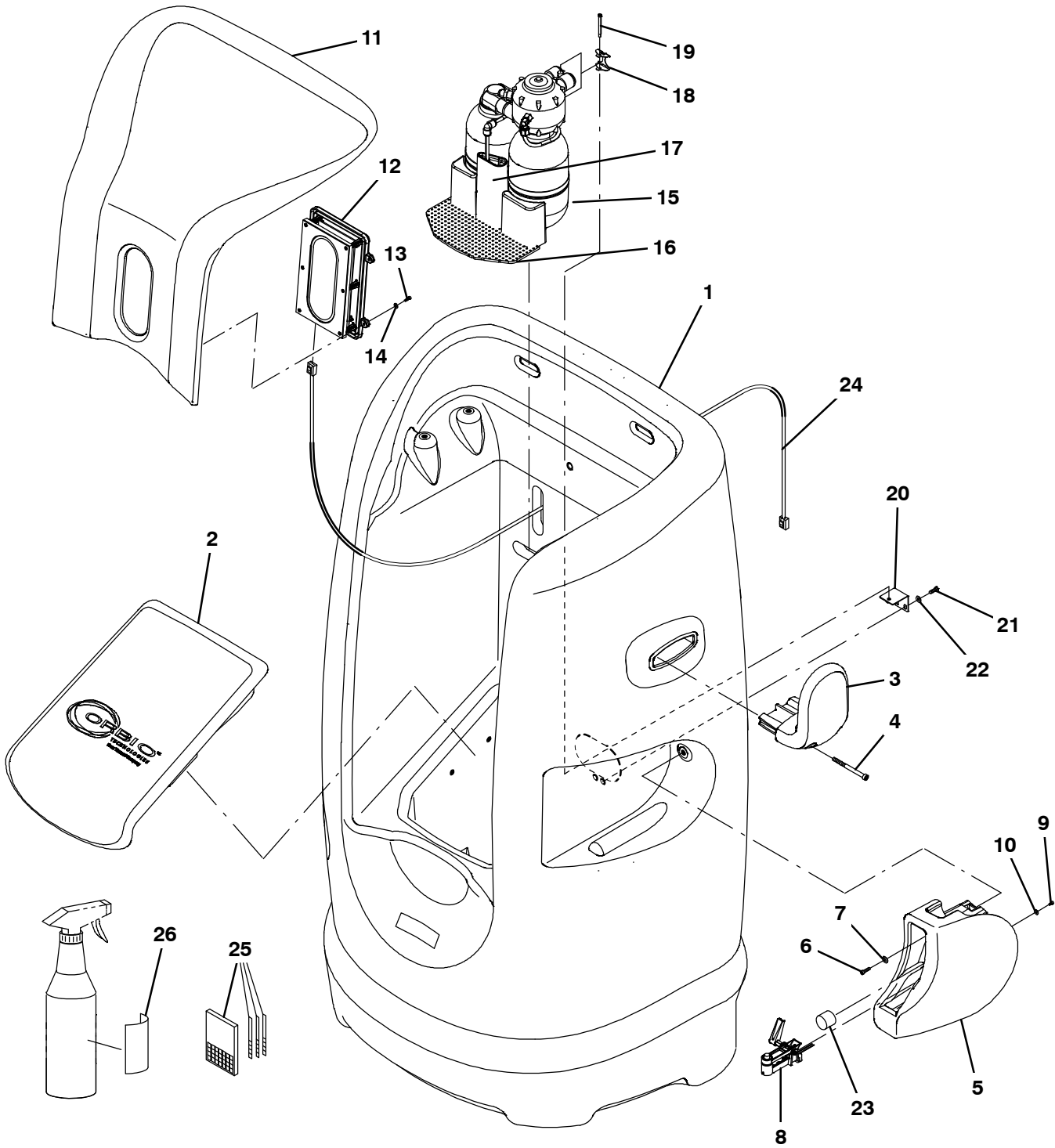


Fig. 1 – Solution Tank Group

Ref.	Part No.	Serial Number	Description	Qty.	
1	HT20001	(000000–)	Primary Tank, 5000–Sc, As–Finished	1	
2	HC20004	(000000–)	Cover, Water Softener	1	
3	HA20001	(000000–)	Hose Hook/Hanger	1	
4	FM20020	(000000–)	Screw, Cap, Socket Head, M8 x 1.25 x 90L	2	
5	HC20003	(000000–)	Housing, Interface	1	
6		(000000–)	Screw, Cap, Socket Head, M8 x 1.25 x 20L	1	
7		(000000–)	Washer, M8, 16 OD	1	
8	HS20005	(000000–)	Assy, Nozzle Dock Switch	1	
9		(000000–)	Screw, Cap, Socket Head, M4x0.7x8L	1	
10		(000000–)	Washer, M4	1	
11	HC20001	(000000–)	Interface Cover	1	
AS20019	ES20017	(000000–)	Interface Panel, Assy	1	
13		(000000–)	Screw, Socket Head M4 x 0.7 x 14L, SS	4	
14		(000000–)	Washer, M4	4	
▽	15	PW20001	(000000–)	Water Softener, Purchased	1
▲	16	PW20002	(000000–)	Plate, Grid, Tank	
▲	17	PW20003	(000000–)	Valve Assy, Brine	
▲	18	PW20004	(000000–)	Bracket, Adapter	
▲	19	PW20005	(000000–)	Bolt, Shoulder	
	20	HF20002	(000000–)	Bracket Wldt, Mounting, Softner	1
	21		(000000–)	Screw, Hex M6 x 1.0 x 16L, SS	2
	22		(000000–)	Washer, M6, Stainless Steel	2
	23	HA20004	(000000–)	Plug	1
	24	EW20020	(000000–)	Cable, Ethernet	1
	25	PA20004	(000000–)	PH Test Strips, 7.0–14.0, 100 Pack	1
	26	DM20030	LABEL,BOTTLE,ORBIO [EN,DE,FR,NL,PKG=50]	1	
	26	DM20031	LABEL,BOTTLE,ORBIO [ES,PT,IT,PKG=50,EU]	1	
	26	DM20032	LABEL,BOTTLE,ORBIO [SE,NO,FI,DK,PKG=50]	1	

Fig. 2 - Upper Tank and Bottle Fill Group

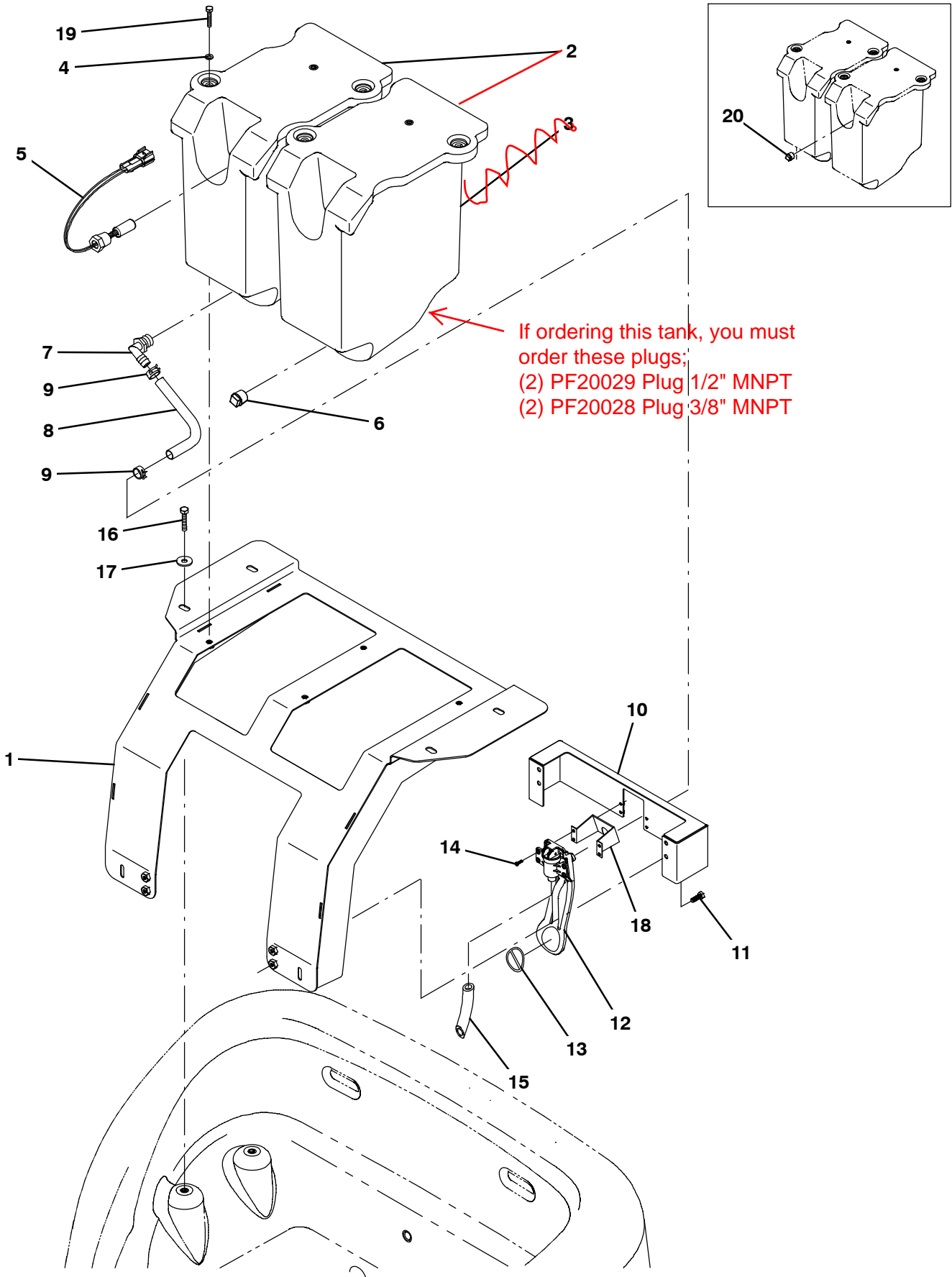


Fig. 2 – Upper Tank and Bottle Fill Group

Ref.	Part No.	Serial Number	Description	Qty.
1	HF20001	(000000–)	Frame Wldt/Upper Tanks	1
2	HT20002	(000000–)	Tank, Upper Bottle Fill	↑ 2
3	HT20010	(000000–)	Tank, Upper Bottle Fill	1
4	FW20007	(000000–)	Washer, M6	4
5	ES20014	(000000–)	Sub-Assembly, Level Switch	1
6	PF20029	(000000–)	Plug, Plastic 1/2" MNPT	1
7	PF20027	(000000–)	Male Elbow, 1/2" NPT x 1/2" MBARB	1
8	PT20009	(000000–)	Dispensing Tube, Tank	1
9	FC20009	(000000–)	Hose Clamp, Spring Action, 5/8"	2
10	HF20005	(000000–)	Bracket Wldt, Bottle-Fill	1
11	FM20004	(000000–)	Screw, Hex M6x1.0x18L	4
12	PU20001	(000000–)	Dispensing Nozzle w/custom lever arm	1
13	HL20001	(000000–)	Label, Bottle-Fill, Do Not Drink	1
14	FM20005	(000000–)	Screw, Cheese Head, M3 x 0.5 x 10L	1
15	PT20010	(000000–)	Dispensing Tube, Tank	1
16	FM20028	(000000–)	Screw, Hex M8 x 1.25 x 18L	4
17	FW20002	(000000–)	Washer, M8, 24 OD	4
18	HF20025	(000000–)	Bracket, Water Fill	1
19	FM20019	(000000–)	Screw, Hex M6x1.0x30L	4
20	PF20029	(000000–000467)	Plug, Plastic 1/2" MNPT	1

Fig. 3 – Dispensing Pump and Nozzle Group

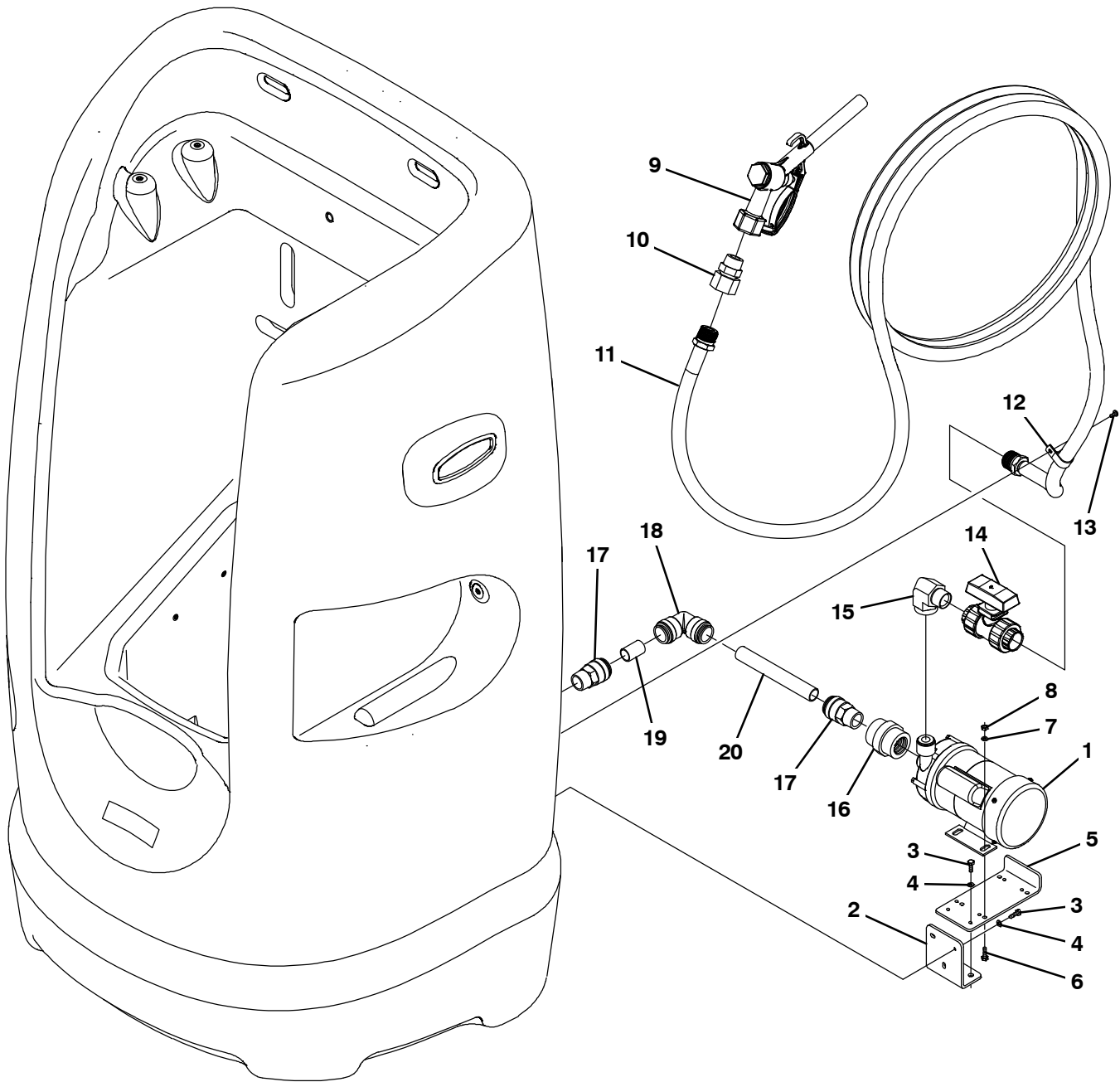


Fig. 3 – Dispensing Pump and Nozzle Group

Ref.	Part No.	Serial Number	Description	Qty.
1	ES20015	(000000–) Sub-Assembly, Dispensing Pump (115V) with connector	1
1	PP20004	(000000–) Pump, Dispensing Pump magnetic Drive 25 Gpm, 220–240V	1
	EW20019	(000000–) Wire Harness, Dispensing Pump Power Cord (For Pump ES20004)	1
2	HF20004	(000000–) Bracket Wldt, Mounting, Pump	1
3		(000000–) Screw, Hex M6x1.0x18L	5
4		(000000–) Washer, M6	5
5	HF20003	(000000–) Bracket, Mounting, Pump	1
6		(000000–) Screw, Hex M6x1.0x18L	4
7		(000000–) Washer, M6	4
8		(000000–)	4
9	PU20003	(000000–) Nozzle, High Flow Hand	1
10	PF20031	(000000–) Fitting, Adaptor, Swivel 1.0" FNPT x 1.0" MNPT	1
11	PT20005	(000000–) Hose, Primary Dispensing	1
11	PT20020	(000000–) Hose, Primary Dispensing Extra Long 50 Ft.	1
12	FC20006	(000000–) Clamp, Loop, 1", Vinly-Coated Metal, 1/2" wide	1
13	FM20027	(000000–) Screw, Cap, Button-head Socket, M6 x 1.0 x 12 L	1
14	PV20005	(000000–) Valve, Ball, 1.0" FNPT x 1.0" FNPT	1
15	PF20025	(000000–) Fitting, Female x Male Elbow, 1.0" NPT x 1.0" NPT	1
16	PF20038	(000000–) Coupling, 1" FNPT x 1" FNPT, PVC	1
17	PF20006	(000000–) Male Connector, 1.0" OD Tube x 1.0" NPT	2
18	PF20023	(000000–) Union Elbow, 1.0" OD Tube x 1.0" OD Tube	1
19	PT20028	(000000–) Tubing, 1–1/8" OD x 1.0" Id (White) – 24" / 70cm	1
20	PT20028	(000000–) Tubing, 1–1/8" OD x 1.0" Id (White) – 24" / 70cm	1

Fig. 4 – Solution Supply Group

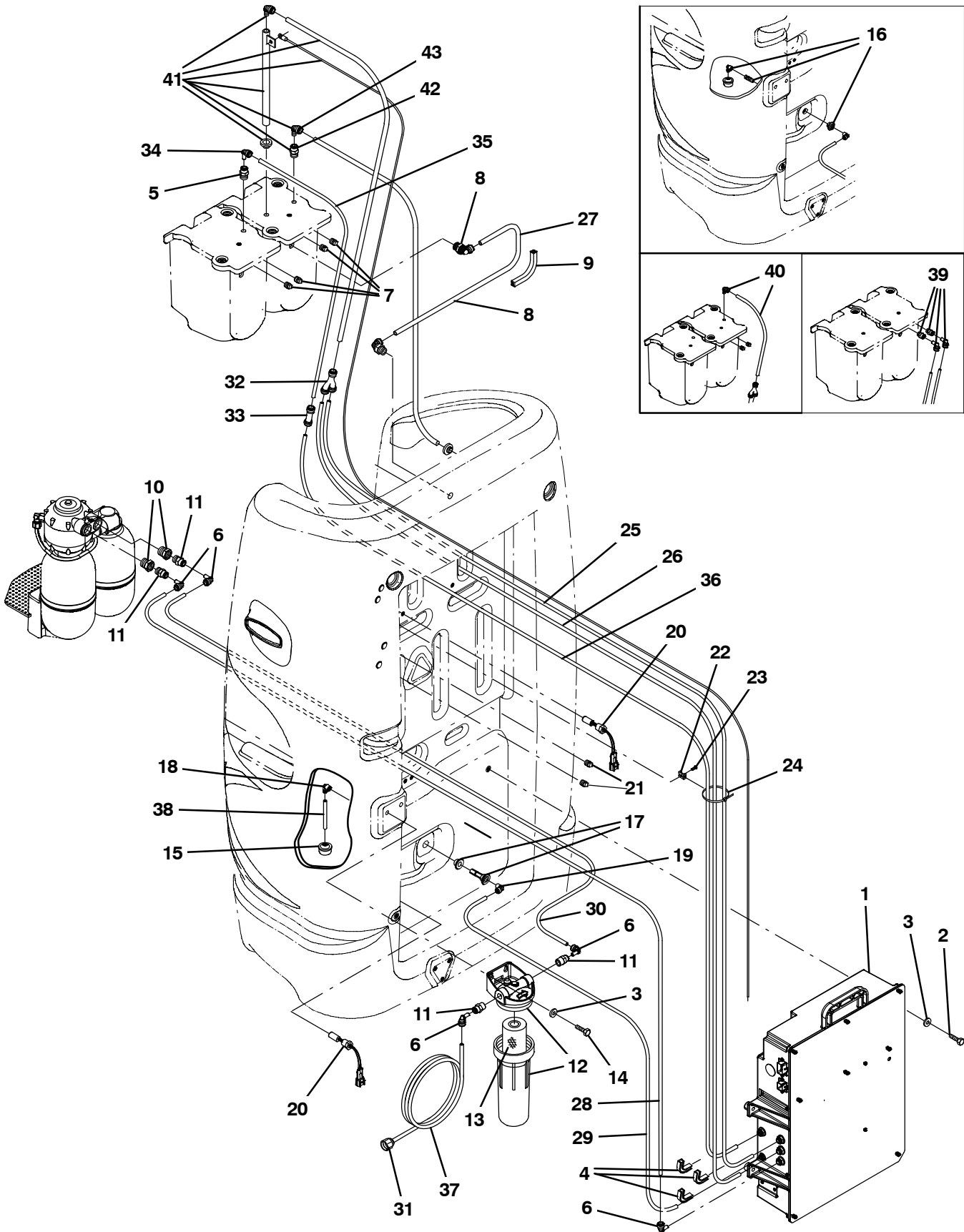


Fig. 4 – Solution Supply Group

Ref.	Part No.	Serial Number	Description	Qty.	
1	AS20004	(000000–)	Service Kit, 5000–Sc E–Module	1	
2		(000000–)	Screw, Hex M8 x 1.25 x 40L	4	
3		(000000–)	Washer, M8, 16 OD	6	
4	PA20003	(000000–)	Clip, Tubing Bend, 3/8"	3	
5	PF20022	(000000–)	Male Connector, 1/4" OD Tube x 1/4" NPTF	1	
6	PF20013	(000000–)	Plug In Elbow 3/8" OD Stem x 3/8" OD Tube	5	
7	PF20028	(000000–)	Plug, Plastic 3/8" MNPT	2	
8	PF20061	(000000–)	Plug In Elbow 5/8" OD Stem x 1/2"NPT	2	
9	PA20011	(000000–)	Clip, Tubing Bend, 5/8"	1	
10	PF20003	(000000–)	Adapter, 3/4" MPT to 1/2" FPT	2	
11	PF20011	(000000–)	Male Connector, 3/8" OD Tube x 1/2" NPT	4	
HE20003	PS20002	(000000–)	Filter Assy	1	
	CA20001	(000000–)	Bag, Accessory, 5000–Sc [Orbio]	1	
	PA20006	(000000–)	Wrench, Filter, Water, Incoming [5000–Sc]	1	
	PA20007	(000000–)	Wrench, Filter, ACF [5000–Sc]	1	
13	PR20002	(000000–)	Filter, Water	1	
14	FM20003	(000000–)	Screw, Hex M8 x 1.25 x 20L	2	
15	PR20001	(000000–)	Suction Strainer, Salt	1	
16	AS20008	(000000–000179)	Kit, Fitting Assembly Rplmt	1	
17	AS20008	(000180–)	Kit, Fitting Assembly Rplmt	1	
18	PF20079	(000180–)	Elbow, Reducing, 1/2" Tube x 3/8" Tube	1	
19	PF20041	(000000–)	Plug in Elbow, 1/4" Od stem x 1/4" Od Tube	1	
20	ES20014	(000000–)	Sub–Assembly, Level Switch	2	
21	PF20029	(000000–)	Plug, Plastic 1/2" MNPT	2	
22	FC20007	(000000–)	Cable Tie–down Anchor, M6, Nylon	8	
23	FM20027	(000000–)	Screw, Cap, Button–head Socket, M6 x 1.0 x 12 L	8	
24		(000000–)	Cable Tie	8	
25	PT20024	(000000–)	Tube 3/8" Od Blue 144in/366cm	1	
26	PT20024	(000000–)	Tube 3/8" Od Blue 144in/366cm	1	
27	PT20029	(000000–)	Tube 5/8" Od Blk 24in/70cm	1	
28	PT20022	(000000–)	Tube 3/8" Od Wht 144in/366cm	1	
29	PT20027	(000000–)	Tube 1/4" Od x 0.17" Id Wht 144in / 366cm	1	
30	PT20022	(000000–)	Tube 3/8" Od Wht 144in/366cm	1	
31	PF20045	(000000–)	Adapter, 3/4" Gth x 3/8" Tube (US only)	1	
31	PF20053	(000000–)	Adapter, Air Gap, 3/4"–3/8" [EU only]	1	
32	PF20017	(000000–)	Union, Tee, 3/8" Tube	1	
33	PF20062	(000000–)	Union, 3/8" x 1/4" Tube	1	
34	PF20041	(000000–)	Plug In Elbow 1/4" OD Stem x 1/4" OD Tube	1	
35	PT20027	(000000–)	Tube 1/4" Od x 0.17" Id Wht 144in / 366cm	1	
36	PT20025	(000000–)	Tube 3/8" Od Red 144in/366cm	1	
37	PT20022	(000000–)	Tube 3/8" Od Wht 144in/366cm	1	
38	PT20029	(000180–)	Tube 5/8" Od Blk 24in/70cm	1	
39	AS20020	(000000–000199)	Kit, Fill Tube and Vent Replmt	1	
40	AS20020	(000200–000467)	Kit, Fill Tube and Vent Replmt	1	
▽	41	AS20020	(000468–)	Kit, Fill Tube and Vent Replmt	1
▲	42	PF20016	(000468–)	Male connector 3/8" Od tube x 1/4" Nptf	1
▲	43	PF20013	(000468–)	Plug in Elbow 3/8" Od stem x 3/8" Od Tube	1

Fig. 5 – Overflow and Drain Group

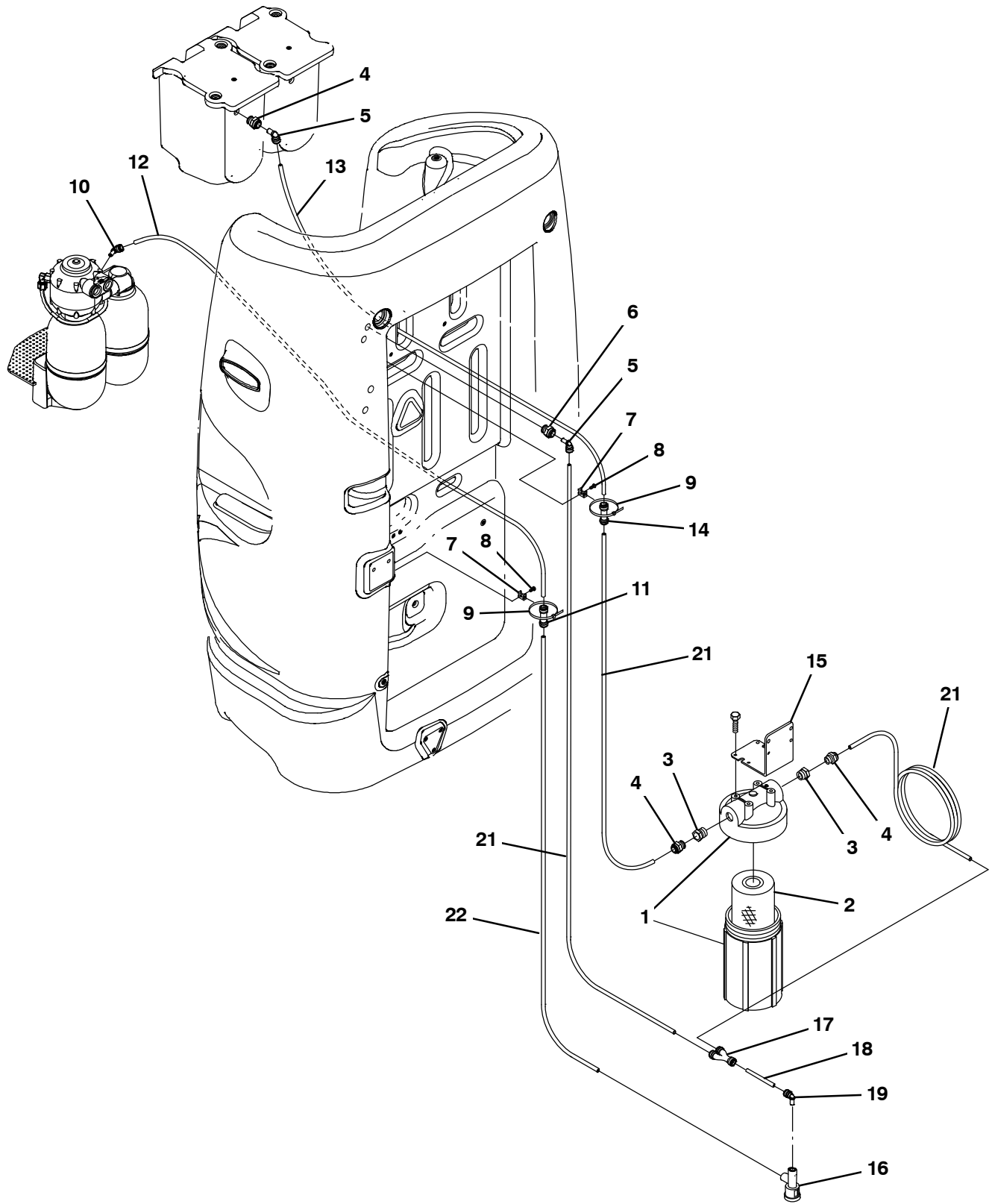


Fig. 5 – Overflow and Drain Group

Ref.	Part No.	Serial Number	Description	Qty.
1	HE20006	(000000–)	Housing, Carbon Filter, 7–1/4" Wide	1
2	PR20003	(000000–)	Filter, Water	1
3	PF20046	(000000–)	Adapter, 1" Mpt to 1/2" Fpt	2
4	PF20009	(000000–)	Male Connector, 1/2" OD Tube x 1/2" NPTF	3
5	PF20010	(000000–)	Plug In Elbow 1/2" OD Stem x 1/2" OD Tube	2
6	PF20009	(000000–)	Male Connector, 1/2" OD Tube x 1/2" NPTF	1
7	FC20007	(000000–)	Cable Tie–down Anchor, M6, Nylon	2
8	FM20027	(000000–)	Screw, Cap, Button–head Socket, M6 x 1.0 x 12 L	2
9	FC20008	(000000–)	Cable Tie 7–1/2" L, 1–7/8" Bundle Dia, Black	2
10	PF20013	(000000–)	Plug In Elbow 3/8" OD Stem x 3/8" OD Tube	1
11	PF20047	(000000–)	Cap Plug, Tapered, .911	1
12	PT20006	(000000–)	Tubing, Flex, 3/8" OD x 1/4" ID (BLACK) 30" L	2
13	PT20011	(000000–)	Tubing, Flex, 1/2" OD x 3/8" ID (BLACK) 21" L	3
14	PF20048	(000000–)	Cap Plug, Tapered, .911	1
15	HF20016	(000000–)	Bracket, Filter Mounting	1
▽	PS20011	(000000–)	Drain Assembly, Air–Gap Adapter (CE Machines Only)	1
▲	16 PA20012	(000000–)	Connector, Air–Gap Drain	1
▲	17 PR20063	(000000–)	Union, Tee 1/2" Tube	1
▲	18 PT20011	(000000–)	Tubing, Flex, 1/2" OD x 3/8" ID (BLACK)	1
▲	19 PF20064	(000000–)	Plug In Elbow 1/2" OD Stem x 1/2" OD Tube	1
▲	PF20075	(000000–)	Ring Reducer, 40/50Mm, PVC, Glued	1
▲	PF20074	(000000–)	Socket, Striaight, 50MM, PVC Glued	1

Fig. 6 - Wire Harnesses Group

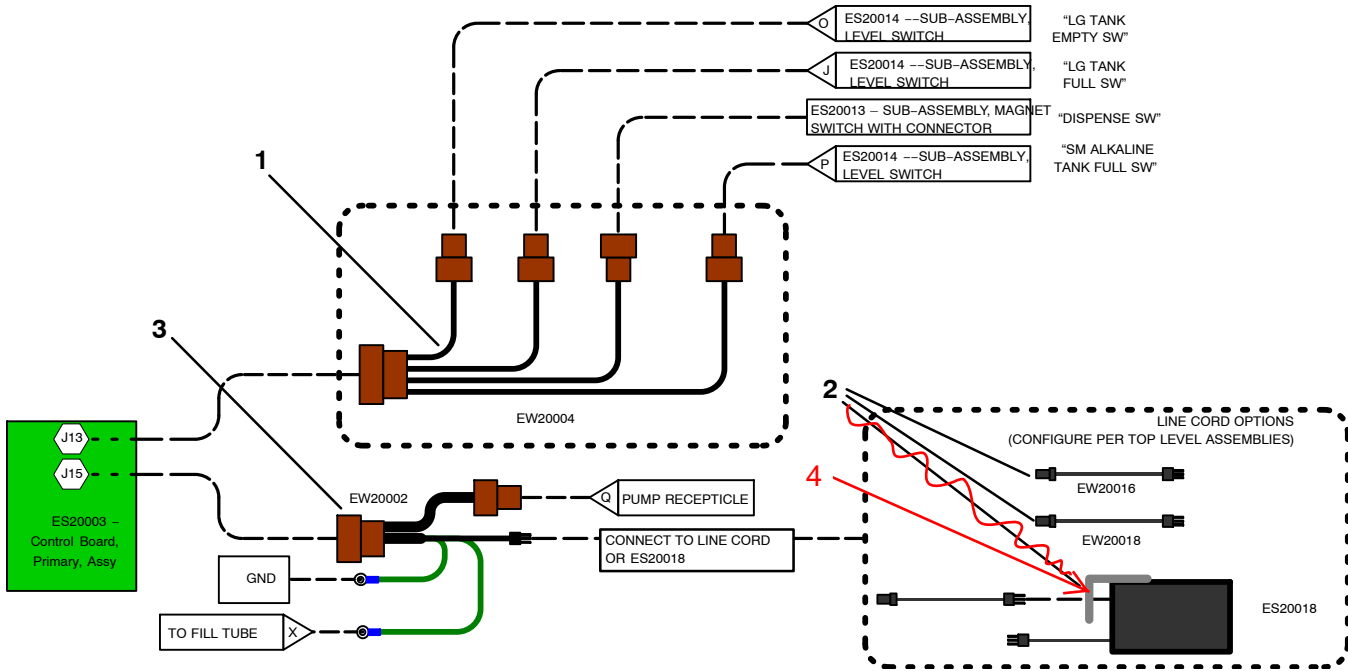
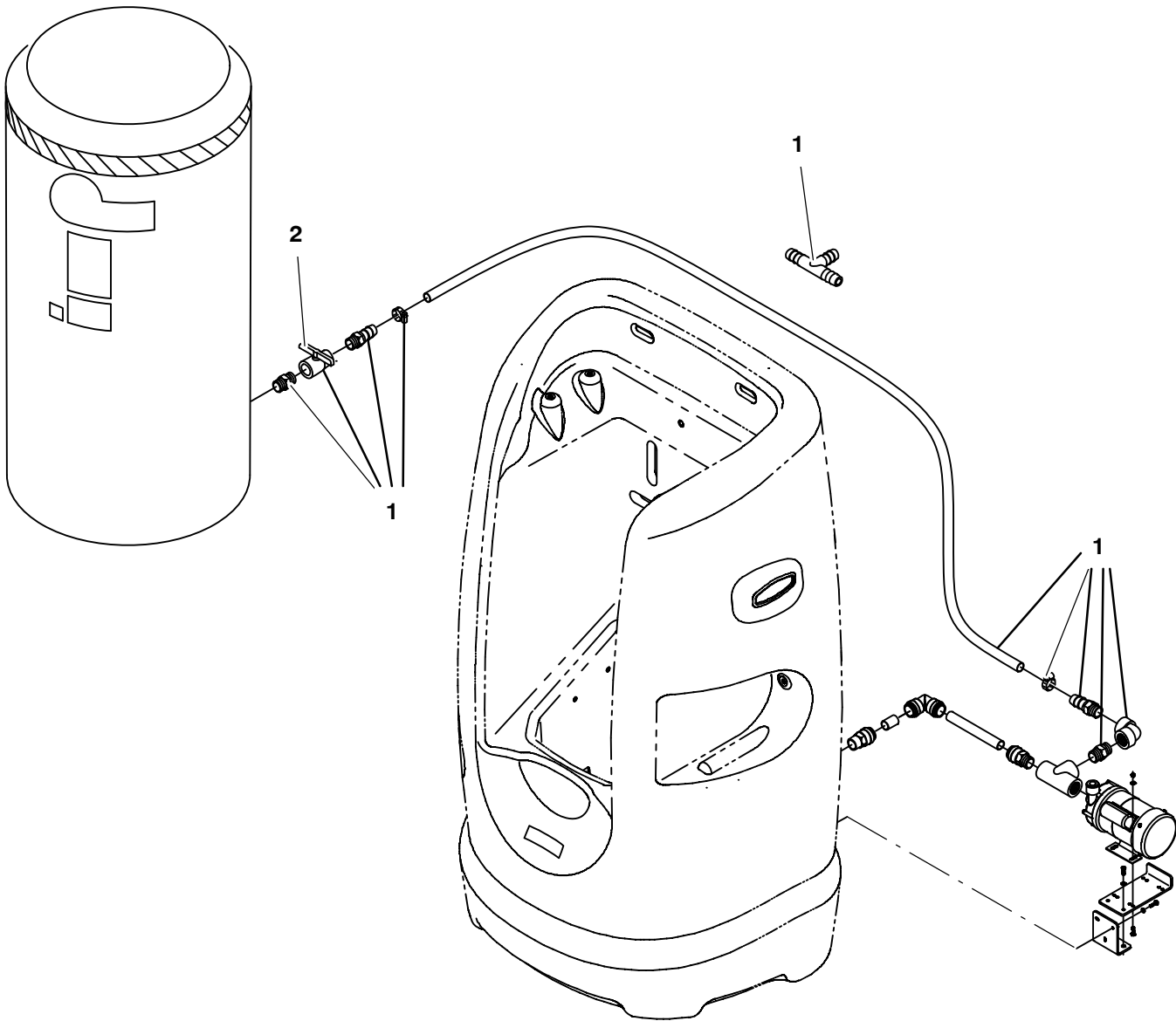


Fig. 6 – Wire Harnesses Group

Ref.	Part No.	Serial Number	Description	Qty.
1	EW20004	(000000-) Wire Harness, Tank Switches	1
2	EW20008	(000000-) AC Line Cord, 110V, 7.5 FT., 14 ga.	1
2	EW20016	(000000-) AC Line Cord, 220V, 6.0 FT., 14 ga.	1
2	EW20018	(000000-) AC Line Cord, 220V, Uk	1
3	EW20002	(000000-) Wire Harness, AC Pwr Dispense Pump	1
4	ES20018	(000000-) Isolation Transformer Sub Assembly1	1

Fig. 7 – Auxiliary Tank Option Kit



356254

Ref.	Tennant Part No.	Description	Qty.
▽	AS20010 (000000-)) Shipment Assy, Auxiliary Tank 5000-Sc	1
▲▽	1 AS20005 (000000-)) Tank Expansion Kit	1
▲▲	2 PV20005 (000000-)) Valve, Ball, 1.0" FNPT x 1.0" FNPT	1